

# TUBULAR CONTINUOUS CENTRIFUGE

## CT–Station Series

Model	CT–Station 2	CT–Station 6	CT–Station 9
Special Feature	Open the front open (SUS Type)	Open the front open (SUS Type)	Open the front open (SUS Type)
Speed	21,000rpm	19,000rpm	15,000rpm
Centrifugal Effect(G)	22,500g	21,000g	17,000g
Throughput	500ℓ /h	1,500ℓ /h	3,000ℓ /h
Bowl Capacity	2.7ℓ	6ℓ	9ℓ
Weight	300Kg	480Kg	550Kg

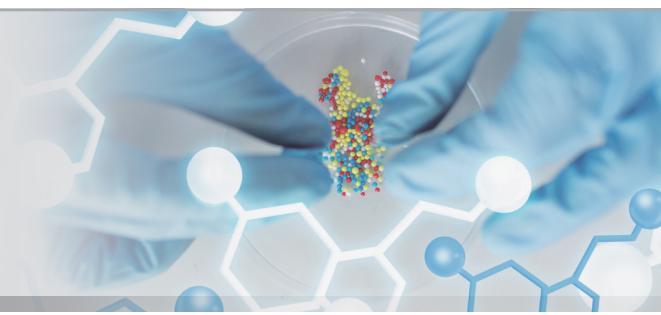
- Designed for easy handling/Simple Operation
- High recovery of sludge
- Order–made by customer' s needs
- Complete Packages & User–friendly interface
- The best solution by sample test
- Suitable for solid–liquid separation
- Excellent cleanliness of the separated liquid
- Classification of solids, separate
- Easy to use Open the front open
- Touch screen controller (setting the Speed, time, etc.)
- Can be connected to a fermentor to establish a continuous culture and separation process



## Ordering Information

Cat. NO.	Description
CC–CT–2	Industrial Continuous Centrifuge
CC–CT–6	Industrial Continuous Centrifuge
CC–CT–9	Industrial Continuous Centrifuge

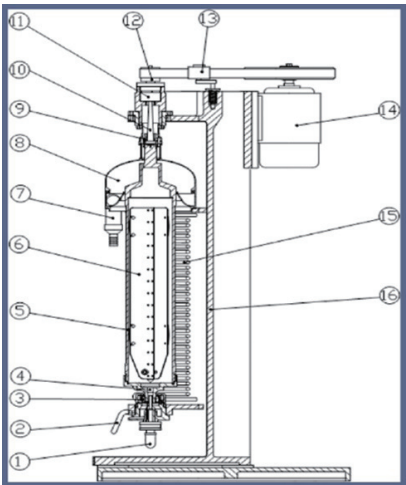
# TUBULAR CONTINUOUS CENTRIFUGE



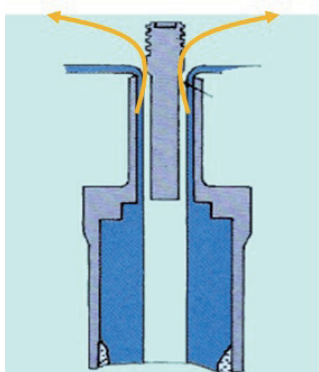
## CT-Station Series Bowl



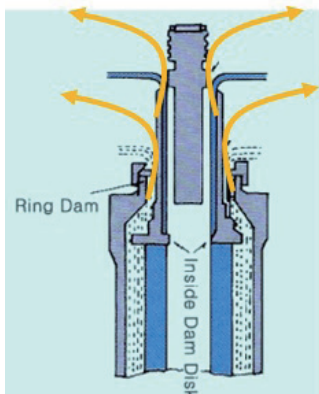
- The small diameter of the Bowl the pressure applied to the inner wall less compared to the number of revolutions.
- High-speed rotation of 15,000rpm ~ 21,000rpm is possible.
- The centrifugal force of 13,200times, 22,500 gravity separation occurs and is fully available.
- Bowl gear is subject to thin and uniform way of centrifugal force.
- Very advantageous it is a centrifugal sedimentation Due to the thin thickness of the liquid layer.
- Flow of the liquid of the separation is that to get the best separation effect only flows in one direction.
- A decomposition by a simple structure, is easy to assemble.
- It is easy to handle and light weight.
- It is easy to remove the sludge by mounting a Teflon sheet.
- Teflon coating can respond to strong acids or corrosive samples.



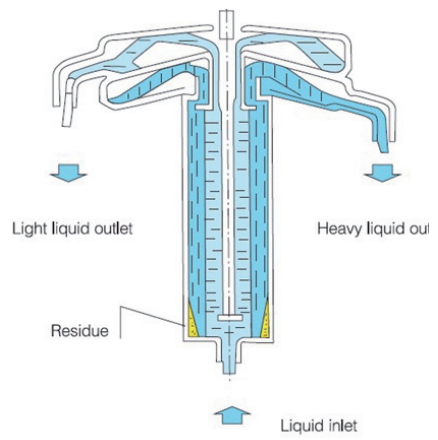
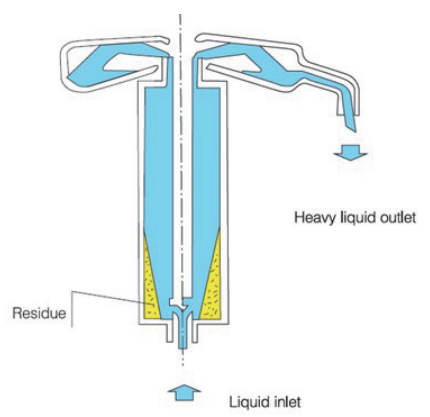
1	FEED IN
2	DRAG FIXED HANDLE
3	DRAG
4	FEED NOZZLE
5	BOWL
6	THREE WING
7	DISCHARGE PORT
8	COVER
9	SPINDLE COVER NUT
10	SPINDLE
11	BEARING
12	PULLEY
13	TENSION PULLEY
14	MOTOR
15	COOLING COIL OPTIONS
16	FRAME



Two phase separation section



Three phase separation section



2Phase separation (liquid, sludge) 3phase separation (liquid, heavy liquid, sludge) depending on the purpose of separation of object Separate is possible. (The product is divided into two product)